

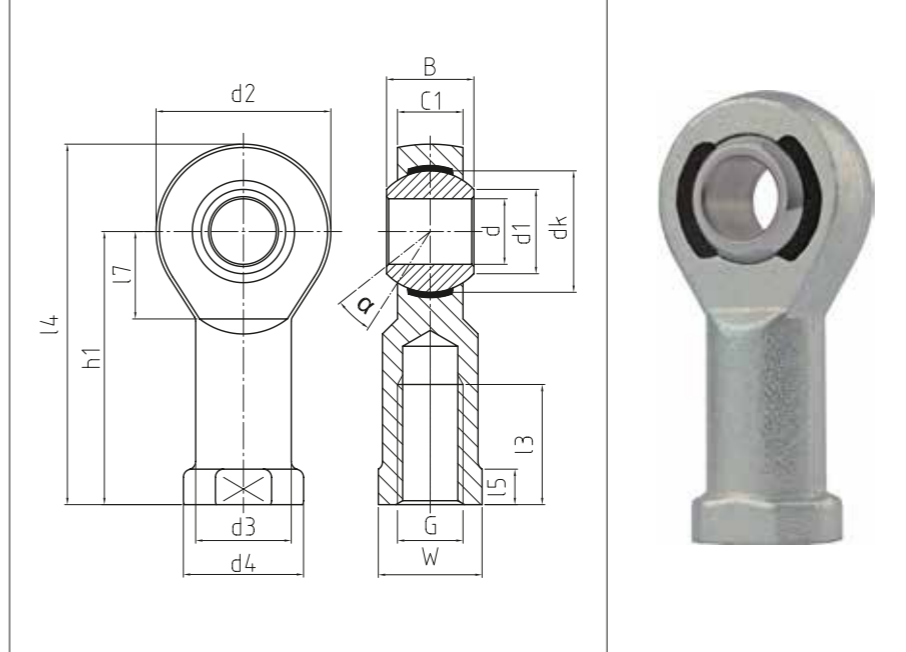
**HOCHLEISTUNGS-GELENKKÖPFE**  
**Mit integrierter Gleitlagerung,**  
**Innengewinde, Abmessungen in**  
**Zoll**

HEAVY-DUTY ROD ENDS  
 With integral spherical-plain  
 bearing, female thread,  
 dimensions in inches

→ **Sonderanfertigungen auf Anfrage**  
 → Custom made products on request

**Gehäuse:**  
 Geschmiedeter Einsatzstahl, vergütet, Ober-  
 fläche galvanisch verzinkt, Cr VI-frei  
**Lagerschale DURBAL-Glide:**  
 Polyamid-PTFE-Glasfaser-Compound  
**Gelenkkugel:**  
 Wälzlagerstahl, gehärtet, geschliffen, poliert,  
 Lauffläche hartverchromt  
**Wartung:**  
 Wartungsfrei  
**Toleranzen:**  
 Seite 050 – 057

**Housing:**  
 Forged steel, tempered, surface galvanized,  
 free of Cr VI  
**Race DURBAL-Glide:**  
 Polyamid-PTFE-fibreglass-Compound  
**Joint ball:**  
 Ball bearing steel, hardened, ground,  
 polished and hard chromium plated  
**Maintenance:**  
 Maintenance-free  
**Tolerances:**  
 Page 050 – 057



**BEFZOLL**

**Hochleistungs-Gelenkköpfe**  
 Heavy-duty rod ends

CLASSIC Line X

Bestellnummer Order number			Abmessungen [Zoll] Measurements [inches]																Kippwinkel Tilt angle	Gewicht Weight	Tragzahlen Basic load rating		Radiale Lagerluft Radial clearance	
Typ Type	Rechtsgewinde Right hand thread	Linksgewinde Left hand thread	d	G	B	C1	h1	d1	d2	d3		d4	dk	l3	l4	l5	l7	W	α [°]	[kg]	dyn C [kN]	stat Co [kN]	CN [µm]	d
BEF 1/4 - 20	-501	-502	.250	1/4 - 28 UNF	.374	.283	1.338	.374	.750	.374		.469	.516	.716	1.713	.185	.385	.381	13	0,027	4,3	12,5	0 - 10	.250
BEF 3/8 - 20	-501	-502	.375	3/8 - 24 UNF	.499	.405	1.641	.537	1.000	.567		.689	.719	.874	2.141	.275	.503	.570	9,5	0,059	7,7	22,3	0 - 10	.375
BEF 1/2 - 20	-501	-502	.500	1/2 - 20 UNF	.624	.472	2.145	.632	1.311	.748		.874	.876	1.161	2.801	.279	.649	.757	13	0,127	14,7	42,9	0 - 10	.500
BEF 5/8 - 20	-501	-502	.625	5/8 - 18 UNF	.826	.590	2.539	.782	1.653	.866		1.063	1.125	1.102	3.366	.350	.885	.866	15,5	0,231	22,4	59,6	0 - 10	.625
BEF 3/4 - 20	-501	-502	.750	3/4 - 16 UNF	.874	.688	2.905	.913	1.750	1.000		1.126	1.249	1.718	3.780	.311	.854	1.007	11	0,229	24,9	66,2	0 - 10	.750
BEF 1/1 - 20	-501	-502	1.000	1/1 - 12 UNF	1.220	.866	3.720	1.185	2.362	1.319		1.654	1.688	1.653	4.901	.511	1.200	1.417	15,5	0,663	45,4	118,6	0 - 10	1.000
BEF 1/1 - 21	-501	-502	1.000	1/1 - 14 UNS	1.220	.866	3.720	1.185	2.362	1.319		1.654	1.688	1.653	4.901	.511	1.200	1.417	15,5	0,663	45,4	118,6	0 - 10	1.000